

ASPEN Square Top Side Rendl Gully



ASPEN Stainless hardworking stainless steel products for hardwearing environments: British engineered with a lifetime guarantee.



Product Description

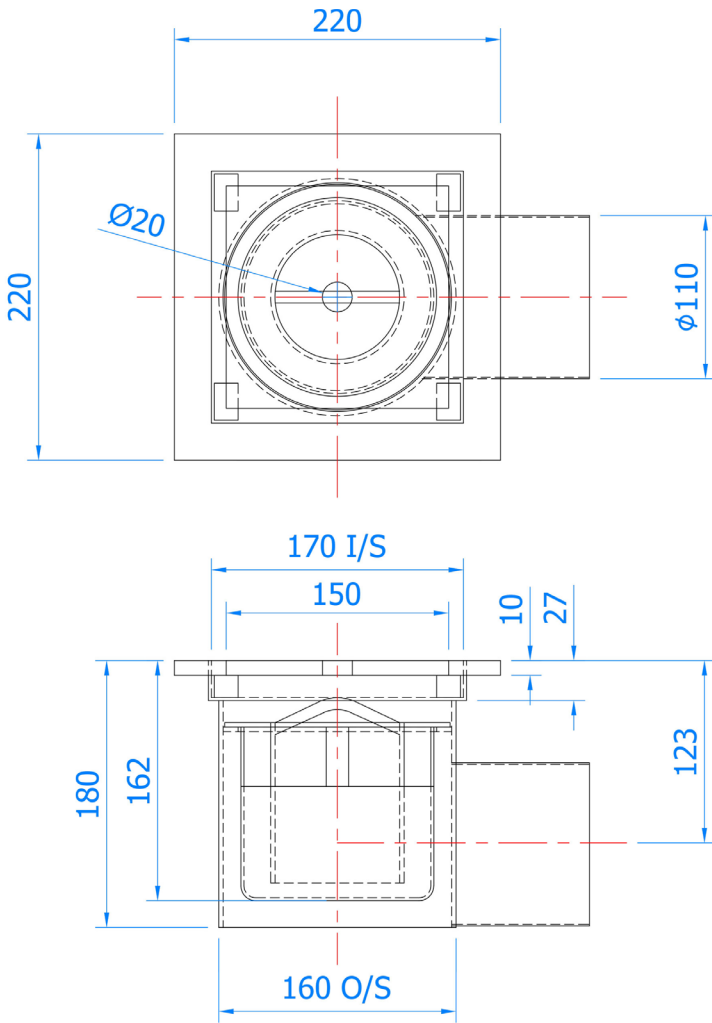
The Standard Side Outlet Summit Gully is designed for use in areas with high flow rates. Ideally suited to hygienic and food manufacturing environments.

Sloping base to ensure full drainage

Technical Specification

- > Stainless steel 2mm
- > 50mm water trap.
- > Square top with no standing water
- > Grade 304 stainless steel (British Standard 304S31, Euronorm 1.4301) also available in 316 stainless steel
- > Minimum invert, side outlet, HD cover & frame
- > Compliant with EHEDG guidelines

MODEL	REF	GULLY DIMENSIONS				FLOW RATES	FACTA LOAD CLASS
		A	B	C	D		
Rendl 110	REN110S	220	150	185	110	2/3 Ltr/Sec	



ASPEN Square Top Rendl Gully



ASPEN Stainless hardworking stainless steel products for hardwearing environments:
British engineered with a lifetime guarantee.

ASPEN Drainage System

As the UK based designer and manufacturer of all ASPEN Stainless, Canal Engineering is able to offer a full range of products to complete your drainage system and can customise any of its Units or manufacture complete bespoke drainage systems.

Key Benefits

The Rendl Gully is manufactured with a sloping bottom for full drainage and designed to ensure there is no standing water.

Maintenance

Stainless steel equipment should be occasionally thoroughly checked for retained deposits and concentrated fluid build up that causes corrosion.

Cleaning

Many factors affect the choice of cleaning method and frequency of its application. Suitable methods for stainless steel are: water and steam; mechanical non abrasive scrubbing; organic solvents and mild detergents.

ASPEN Drainage Installation

Canal Engineering offer supply only or full installation, with fully welded and polished joints, and commissioning. Canal Engineering also offer on-going annual inspection and maintenance contracts.

For advice regarding the most suitable ASPEN Stainless solutions for you please contact our technical sales team today to discuss your requirements.

