

ASPEN Flaine Gully

Load Class up to FACTA A15



Stainless

ASPEN Stainless hardworking stainless steel products for hardwearing environments:
British engineered with a lifetime guarantee.



Product Description

The Standard Flaine Gully is usually used for sink waste and where shallow pipe inverts occur. The Gully is bead blasted with easy access for Rodding.

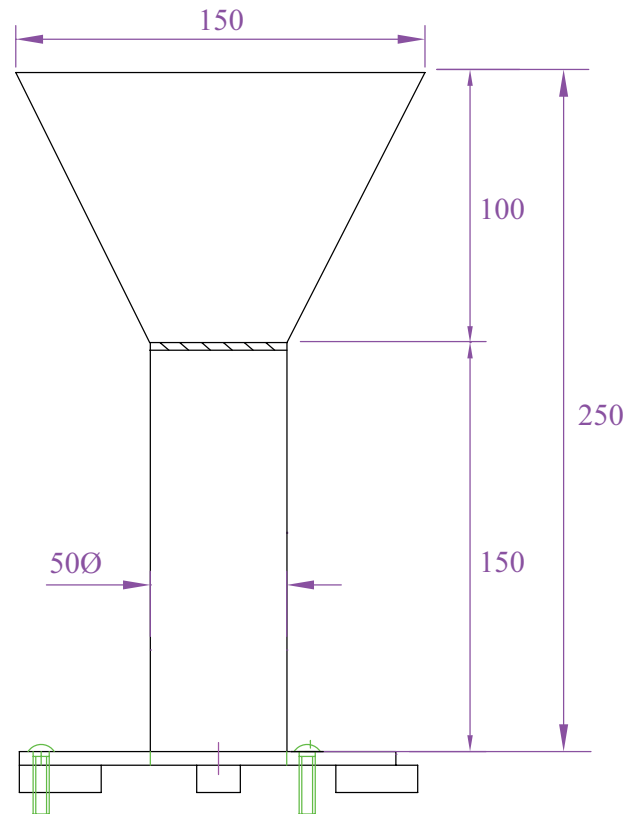
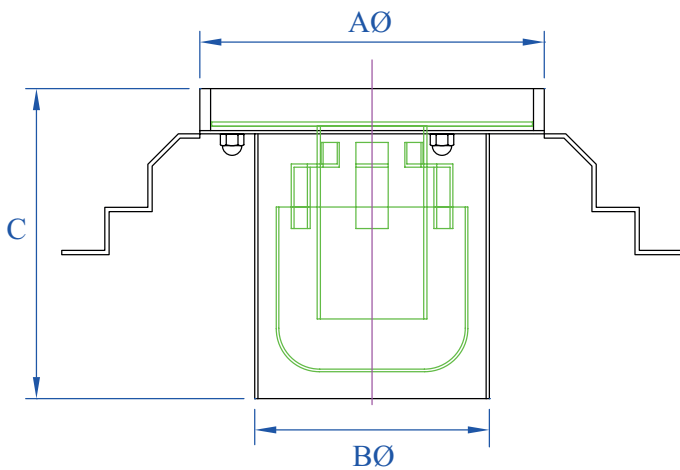
Suitable for hygienic environments accessed by pedestrian factory traffic.

The Flaine Gully is available in one size.

Technical Specification

- > Body: made from 1.5mm stainless steel.
- > 1.5mm stainless steel trap.
- > Round top Gully with smooth cover.
- > Grade 304 stainless steel (British Standard 304S31, Euronorm 1.4301).
- > Compliant with EHEDG guidelines

MODEL	REF	GULLY DIMENSIONS			FLOW RATES	FACTA LOAD CLASS
		A	B	C		
FLAINE 110	FG110	160	110	145	2.0 Ltr/Sec	
FLAINE 110 & TUNDISH	FG110TD	160	110	145	2.0 Ltr/Sec	



All dimensions in mm.



ASPEN Flaine Gully

Load Class up to FACTA A15



ASPEN Stainless hardworking stainless steel products for hardwearing environments: British engineered with a lifetime guarantee.

ASPEN Drainage System

As the UK based designer and manufacturer of all ASPEN Stainless, Canal Engineering is able to offer a full range of products to complete your drainage system and can customize any of its Units or manufacture complete bespoke drainage systems.

Key Benefits

The Flaine Gully comes complete with a debris catcher and an optional Tundish top. The debris catcher prevents blockages and is fully removable for cleaning the collected debris.

The body of the gully connects directly to the sub terrain drainage pipe.

Maintenance

Stainless steel equipment should be occasionally thoroughly checked for retained deposits and concentrated fluid build up that causes corrosion.

Cleaning

Many factors affect the choice of cleaning method and frequency of its application. Suitable methods for stainless steel are: water and steam; mechanical non abrasive scrubbing; organic solvents and mild detergents.

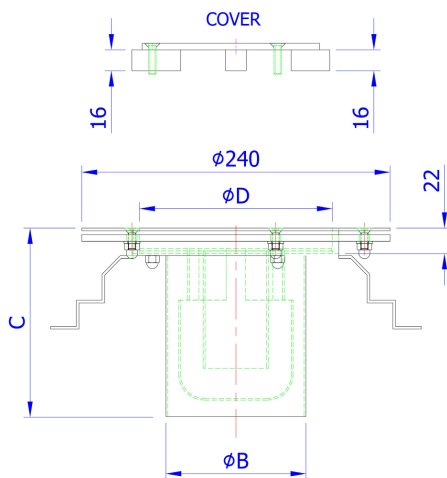
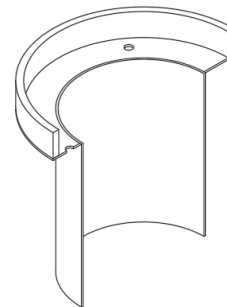
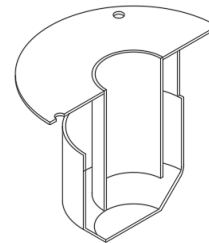
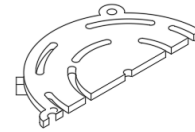
ASPEN Drainage Installation

Canal Engineering offer supply only or full installation, with fully welded and polished joints, and commissioning. Canal Engineering also offer on-going annual inspection and maintenance contracts.

For advice regarding the most suitable ASPEN Stainless for you please contact our technical sales team today to discuss your requirements.

ASPEN Drainage Options

- > Available in grade 316 stainless steel (British Standard 316S31, Euronorm 1.4401).
- > Square top plate for tiling.
- > A range of Gully Covers (see TD35).
- > Locking Gully Cover.
- > Gully Membrane Flange Disc (see TD66).
- > Smooth Cover and Tundish (see TD120).
- > Gully Cover lifting tools.
- > Variable filtration mesh hole size.



Flaine Gully
Material 1,5mm 304 S/S

