

ASPEN Tundish for Condense Pipes



Stainless

ASPEN Stainless hardworking stainless steel products for hardwearing environments:
British engineered with a lifetime guarantee.



Product Description

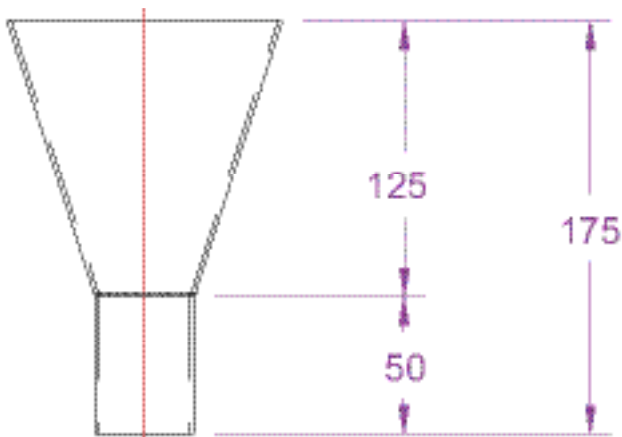
The standard Tundish is used for condense or sink waste air breaks between the outlet Gully and the feed pipe. Rodent Mesh is added as a safe guard. Suitable for hygienic environments.

Technical Specification

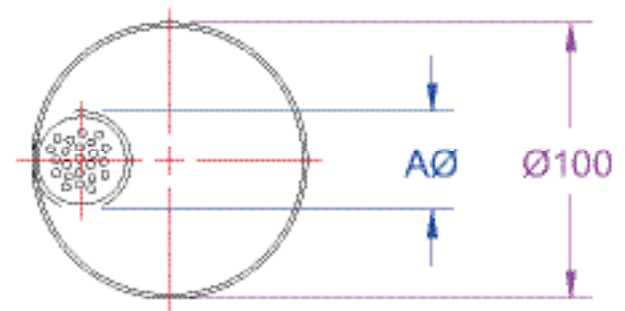
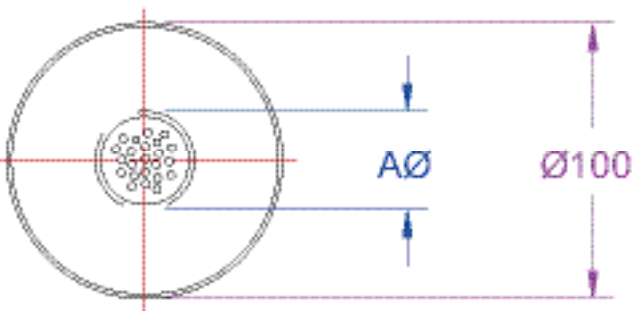
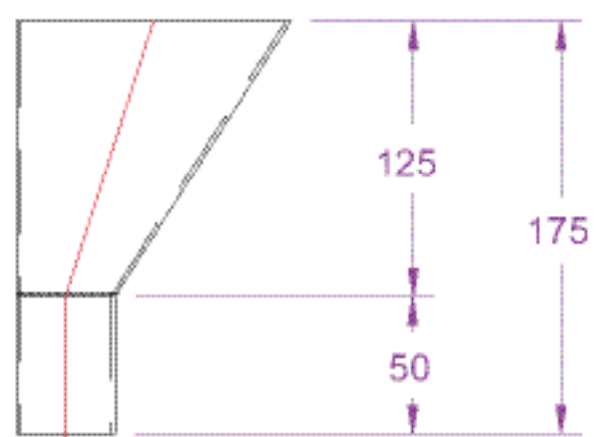
- > 32 or 42ømm stainless steel pipe.
- > Straight or angled stainless steel funnel opening.
- > Stainless steel Rodent Mesh 6ømm holes.
- > Grade 304 stainless steel (British Standard 304S31, Euronorm 1.4301)
- > Compliant with EHEDG guidelines

MODEL	REF	TUNDISH DIMENSIONS
		A
STRAIGHT	TDISHS CP	32/42ø
ANGLED	TDISHA CP	32/42ø

STRAIGHT TUNDISH



ANGLED TUNDISH



All dimensions in mm.



ASPEN Tundish for Condense Pipes



ASPEN Stainless hardworking stainless steel products for hardwearing environments: British engineered with a lifetime guarantee.

ASPEN Drainage System

As the UK based designer and manufacturer of all ASPEN Stainless, Canal Engineering is able to offer a full range of products to complete your drainage system and can customize any of its Units or manufacture complete bespoke drainage systems.

Key Benefits

This design is ideal for easy clean and maintenance and compliments the total ASPEN drainage package.

Maintenance

Stainless steel equipment should be occasionally thoroughly checked for retained deposits and concentrated fluid build up that causes corrosion.

Cleaning

Many factors affect the choice of cleaning method and frequency of its application. Suitable methods for stainless steel are: water and steam; mechanical non abrasive scrubbing; organic solvents and mild detergents.



Tundish Sample

ASPEN Drainage Installation

Canal Engineering offer supply only or full installation, with fully welded and polished joints, and commissioning. Canal Engineering also offer on-going annual inspection and maintenance contracts.

For advice regarding the most suitable ASPEN Stainless for you please contact our technical sales team today to discuss your requirements.

ASPEN Drainage Options

> Available in grade 316 stainless steel (British Standard 316S31, Euronorm 1.4401).