

ASPEN Sump For Bunded Frying Areas

Load Class up to FACTA B125



Stainless

ASPEN Stainless hardworking stainless steel products for hardwearing environments:
British engineered with a lifetime guarantee.

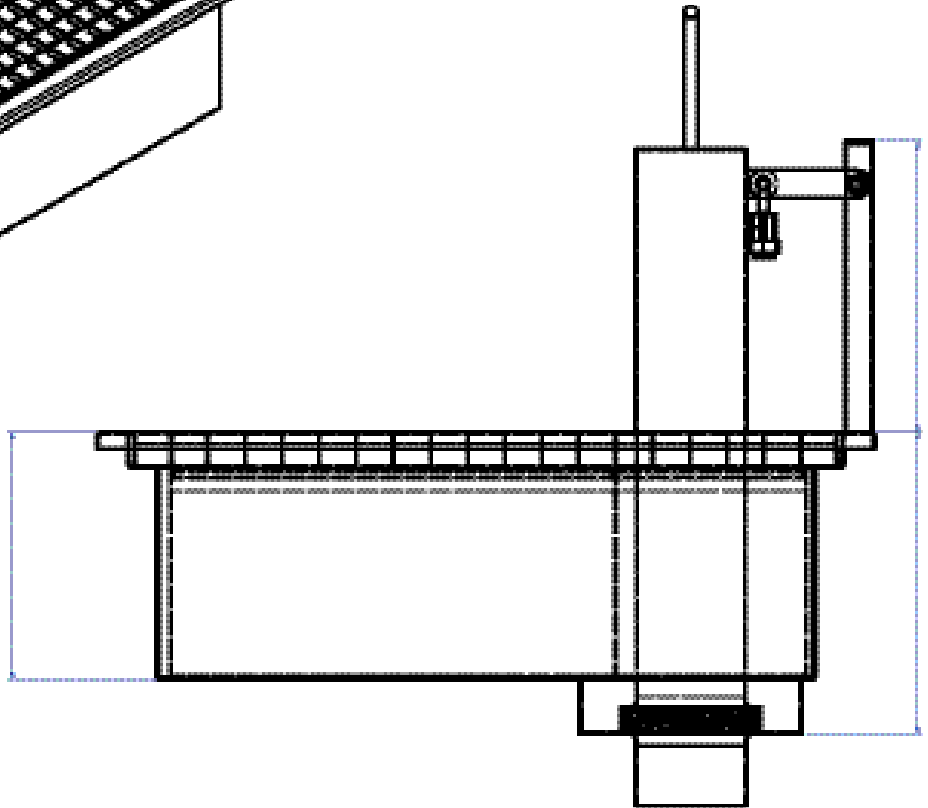
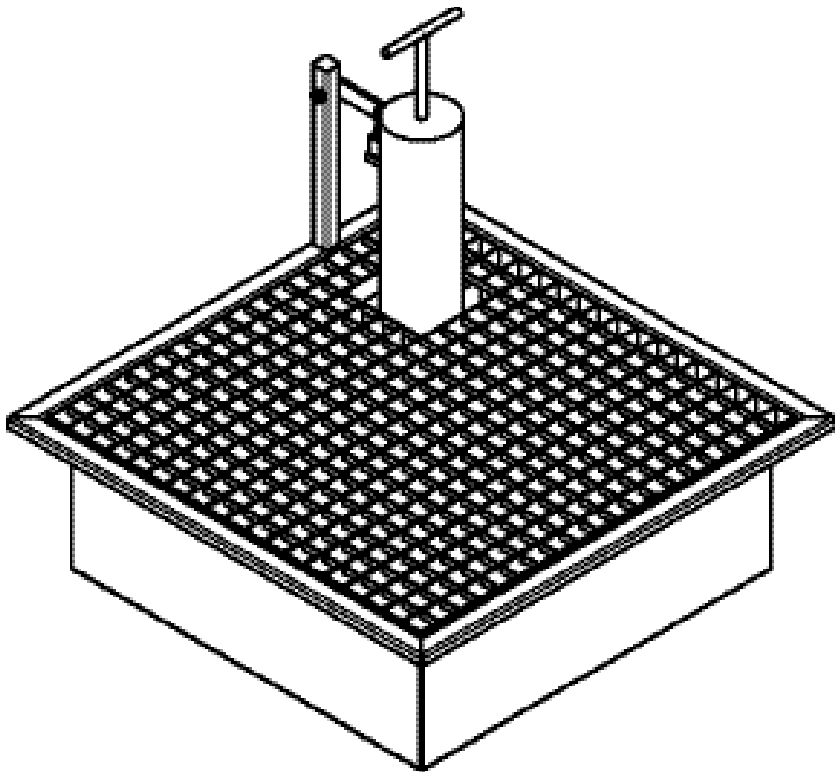


Product Description

The Sump is a stainless steel unit to catch frying oil / liquid and debris from surrounding surfaces.
Suitable for hygienic environments that are accessed by light load factory traffic.
The Sump is fabricated to bespoke sizes.

Technical Specification

- > 2mm stainless steel.
- > Ladder Cover to fit.
- > Grade 304 stainless steel (British Standard 304S31, Euronorm 1.4301).
- > Compliant with EHEDG guidelines



The blue measurements indicate the variable dimensions shown in the chart above. All dimensions in mm.
Variable (V).



ASPEN Sump For Bunded Frying Areas

Load Class up to FACTA C250



ASPEN Stainless hardworking stainless steel products for hardwearing environments: British engineered with a lifetime guarantee.

ASPEN Drainage System

As the UK based designer and manufacturer of all ASPEN Stainless, Canal Engineering is able to offer a full range of products to complete your drainage system and can customize any of its Units or manufacture complete bespoke drainage systems.

Key Benefits

The Sump can be produced in any bespoke size and can be integrated with an outlet or Sump Pump to remove all liquid and debris caught in the Sump.

Maintenance

Stainless steel equipment should be occasionally thoroughly checked for retained deposits and concentrated fluid build up that causes corrosion.

Cleaning

Many factors affect the choice of cleaning method and frequency of its application. Suitable methods for stainless steel are: water and steam; mechanical non abrasive scrubbing; organic solvents and mild detergents.

ASPEN Drainage Installation

Canal Engineering offer supply only or full installation, with fully welded and polished joints, and commissioning. Canal Engineering also offer on-going annual inspection and maintenance contracts.

For advice regarding the most suitable ASPEN Stainless for you please contact our technical sales team today to discuss your requirements.



ASPEN Drainage Options

- > Also available in grade 316 stainless steel (British Standard 316S31, Euronorm 1.4401).
- > Submersible Sump Pump (quote SUMPUM) by others
- > Sump basket.