

ASPEN Flanged Gasket & Bolted Joint



Stainless

ASPEN Stainless hardworking stainless steel products for hardwearing environments:
British engineered with a lifetime guarantee.



Product Description

The standard Flanged Gasket & Bolted Joint is designed to bolt ASPEN Drain Channels to one another. This method is an alternative to on site welding the Channels together.

Suitable for hygienic environments.

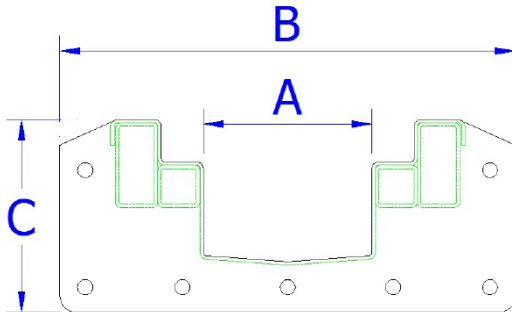
The standard Joint is available for either the Colorado or Davos Channel.

Technical Specification

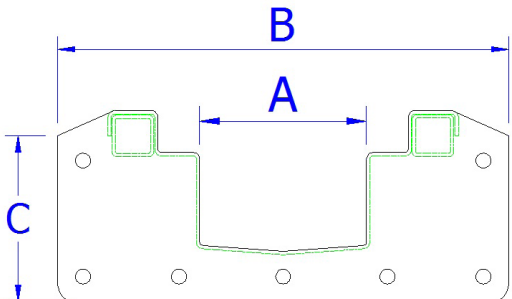
- > Made from 3mm stainless steel.
- > Suitable for Colorado & Davos Drain Channel.
- > Variable depth to occupy heavy duty Channels.
- > Grade 304 stainless steel (British Standard 304S31, Euronorm 1.4301).
- > Compliant with EHEDG guidelines

MODEL	REF	CHANNEL DIMENSIONS		
		A	B	C
JOINT 100	DRJOINT	100	270	VARIABLE
JOINT 170	DRJOINT	170	340	VARIABLE
JOINT 300	DRJOINT	300	470	VARIABLE

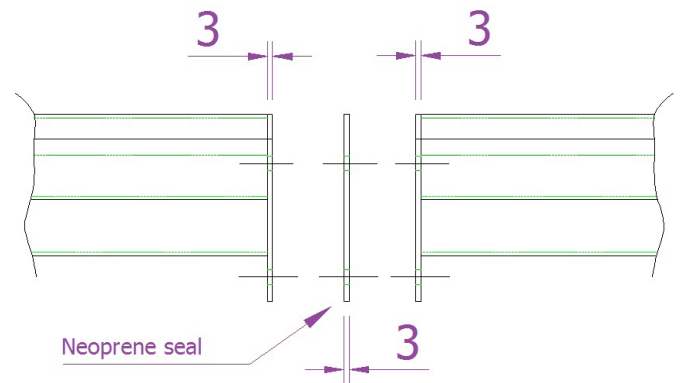
Colorado Flange Joint



Davos Flange Joint



Top View Flange Joint



The blue measurements indicate the variable dimensions shown in the chart above. All dimensions in mm.



ASPEN Flanged Gasket & Bolted Joint



ASPEN Stainless hardworking stainless steel products for hardwearing environments: British engineered with a lifetime guarantee.

ASPEN Drainage System

As the UK based designer and manufacturer of all ASPEN Stainless, Canal Engineering is able to offer a full range of products to complete your drainage system and can customize any of its Units or manufacture complete bespoke drainage systems.

Key Benefits

The Flanged Gasket & Bolted Joint prevents time being spent on site welding metres of drainage channel together with a simple bolted fix and neoprene seal.

Maintenance

Stainless steel equipment should be occasionally thoroughly checked for retained deposits and concentrated fluid build up that causes corrosion.

Cleaning

Many factors affect the choice of cleaning method and frequency of its application. Suitable methods for stainless steel are: water and steam; mechanical non abrasive scrubbing; organic solvents and mild detergents.



Flanged Gasket & Bolted Joint Sample

ASPEN Drainage Installation

Canal Engineering offer supply only or full installation, with fully welded and polished joints, and commissioning. Canal Engineering also offer on-going annual inspection and maintenance contracts.

For advice regarding the most suitable ASPEN Stainless for you please contact our technical sales team today to discuss your requirements.

ASPEN Drainage Options

> Available in grade 316 stainless steel (British Standard 316S31, Euronorm 1.4401).