

# ASPEN 3:17 Bar Crumb Proof Drain Cover

## Load Class up to FACTA C250



Stainless

ASPEN Stainless hardworking stainless steel products for hardwearing environments:  
British engineered with a lifetime guarantee.



### Product Description

The standard 3 Bar Crumb Proof Drain Cover (17 Support) is manufactured in 996mm standard lengths or suitable for the drainage system design. Designed to reduce the debris entering the channel and outlet to a minimum.

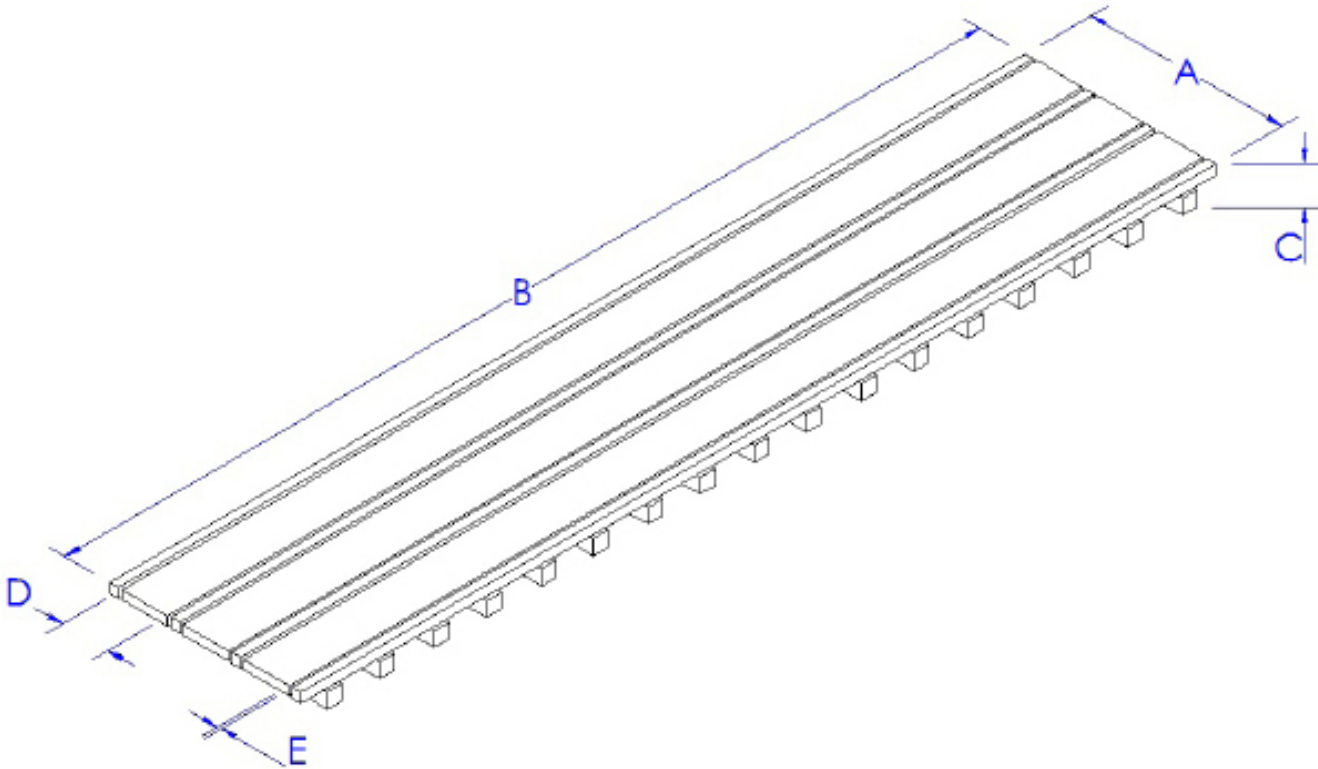
Suitable for hygienic environments accessed by all types of factory traffic.

The Cover is available in a durbar surface finish.

### Technical Specification

- > 3 Bar Crumb Proof Cover.
- > Top: 10mm x 50mm stainless steel.
- > Supports: 16mm x 16mm stainless steel bar.
- > Intersections: 10mm x 10mm stainless steel bar.
- > 25mm depth to fit either Drain Channel.
- > Stitch welded.
- > Used in conjunction with the 170mm base ASPEN Drain Channel.
- > Available in Grade 304 or 316 stainless steel
- > Low Slip Potential according to UKSRG in dry & wet conditions.
- > EHEDG can be achieved with alterations

MODEL	REF	COVER DIMENSIONS					FACTA LOAD CLASS
		A	B	C	D	E	
DURBAR CRUMB 3:17 BAR	CC170CRM17	216	996	25	50	3	



The blue measurements indicate the variable dimensions shown in the chart above. All dimensions in mm.



# ASPEN 3:17 Bar Crumb Proof Drain Cover

## Load Class up to FACTA C250



ASPEN Stainless hardworking stainless steel products for hardwearing environments: British engineered with a lifetime guarantee.

### ASPEN Drainage System

As the UK based designer and manufacturer of all ASPEN Stainless, Canal Engineering is able to offer a full range of products to complete your drainage system and can customize any of its Units or manufacture complete bespoke drainage systems.

#### Key Benefits

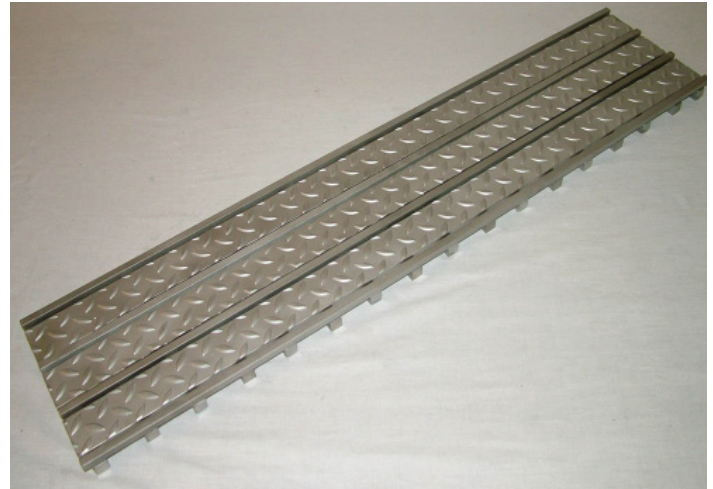
This style of drain cover provides maximum liquid drainage to the channel while preventing large debris from entering the waste water. The durbar option provides an improved anti slip surface. The 17 bar provides maximum added support and strength for heavy trafficked areas.

#### Maintenance

Stainless steel equipment should be occasionally thoroughly checked for retained deposits and concentrated fluid build up that causes corrosion.

#### Cleaning

Many factors affect the choice of cleaning method and frequency of its application. Suitable methods for stainless steel are: water and steam; mechanical non abrasive scrubbing; organic solvents and mild detergents.



*Durbar Drain Cover Sample*

### ASPEN Drainage Options

- > Available in Grade 304 or 316 stainless steel
- > Cover can be bolted to the Channel to prevent distortion during overloading situations.

### ASPEN Drainage Installation

Canal Engineering offer supply only or full installation, with fully welded and polished joints, and commissioning. Canal Engineering also offer on-going annual inspection and maintenance contracts.

For advice regarding the most suitable ASPEN Stainless for you please contact our technical sales team today to discuss your requirements.

### ASPEN Slip Resistance

Classification of slip potential surfaces in wet and dry conditions are according to 'The Assessment of Floor Slip Resistance: The UK Slip Resistance Group (UKSRG) Guidelines issues 4 / 2011'. Results are obtained from tests carried out by our trained laboratory technicians in the internal laboraboraty. All figures are measured and expressed under laboratory conditions: Actual performance may vary from the above values depending upon site conditions. Contact the Technical Sales team for the actual slip resistant values or more information about the UKSRG.