

ASPEN Ladder Drain Cover

Load Class up to FACTA C250



Stainless

ASPEN Stainless hardworking stainless steel products for hardwearing environments:
British engineered with a lifetime guarantee.



Product Description




The standard Ladder Drain Cover is manufactured in 996mm standard lengths or suitable for the drainage system design. Size B would be altered to fit the length of the Channel and mitred to compensate angled corners in the system.

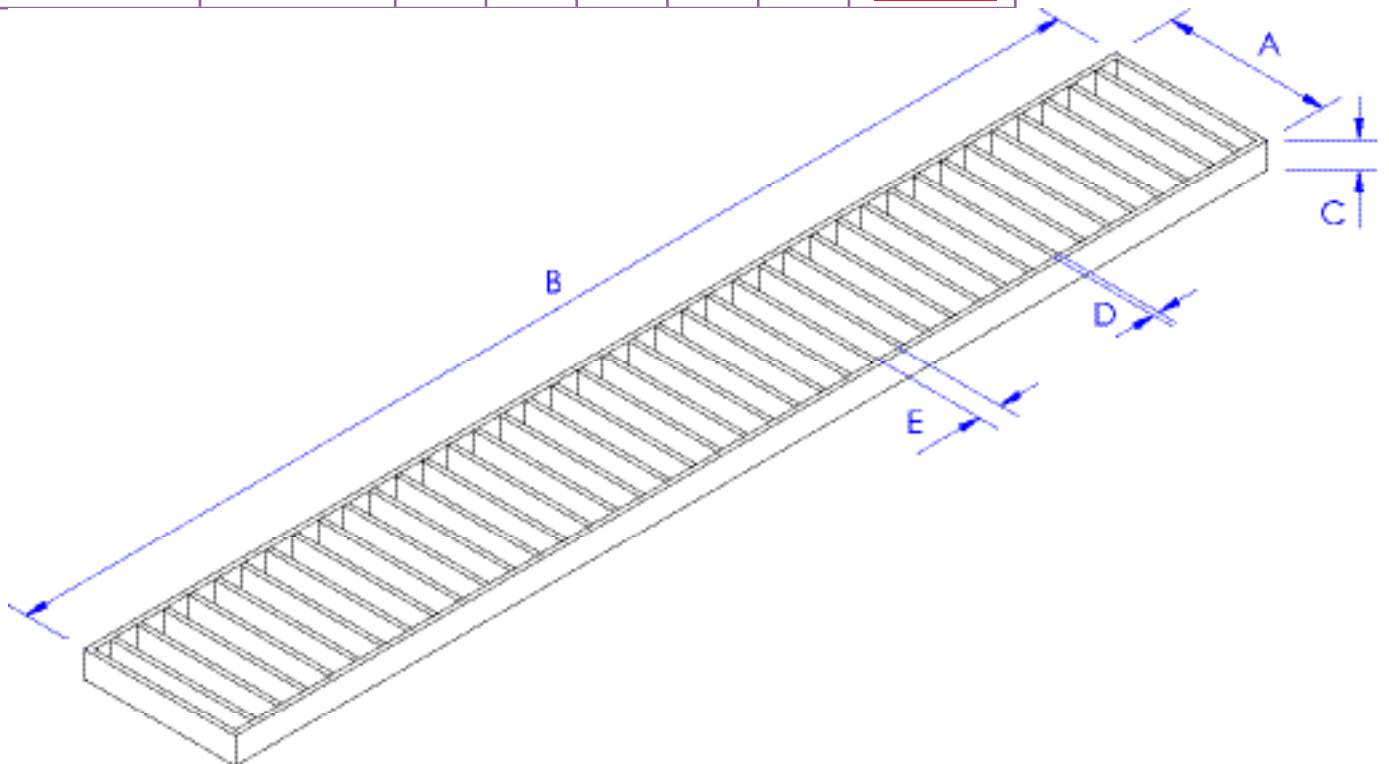
Suitable for hygienic environments accessed by medium load factory traffic.

The Cover is available in three standard sizes.

Technical Specification

- > 25mm x 5mm stainless steel flat plate.
- > Provides maximum drainage.
- > 25mm depth to fit either Drainage Channel.
- > Stitch welded.
- > Available in Grade 304 or 316 stainless steel
- > Low Slip Potential according to UKSRG in dry & wet conditions.
- > EHEDG can be achieved with alterations

MODEL	REF	COVER DIMENSIONS					FACTA LOAD CLASS
		A	B	C	D	E	
LADDER 100	CC100LAD	146	996	25	5	20	 G
LADDER 170	CC170LAD	216	996	25	5	20	 B
LADDER 300	CC300LAD	346	996	25	5	20	 A



All dimensions in mm.



ASPEN Ladder Drain Cover

Load Class up to FACTA C250



ASPEN Stainless hardworking stainless steel products for hardwearing environments: British engineered with a lifetime guarantee.

ASPEN Drainage System

As the UK based designer and manufacturer of all ASPEN Stainless, Canal Engineering is able to offer a full range of products to complete your drainage system and can customize any of its Units or manufacture complete bespoke drainage systems.

Key Benefits

This style of drain cover provides maximum liquid drainage to the channel and provides a robust surface for factory traffic on a daily basis.

Maintenance

Stainless steel equipment should be occasionally thoroughly checked for retained deposits and concentrated fluid build up that causes corrosion.

Cleaning

Many factors affect the choice of cleaning method and frequency of its application. Suitable methods for stainless steel are: water and steam; mechanical non abrasive scrubbing; organic solvents and mild detergents.

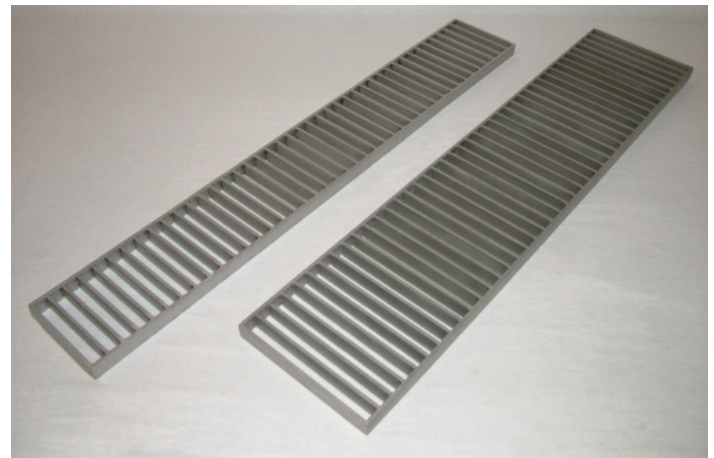
ASPEN Drainage Installation

Canal Engineering offer supply only or full installation, with fully welded and polished joints, and commissioning. Canal Engineering also offer on-going annual inspection and maintenance contracts.

For advice regarding the most suitable ASPEN Stainless for you please contact our technical sales team today to discuss your requirements.

ASPEN Slip Resistance

Classification of slip potential surfaces in wet and dry conditions are according to 'The Assessment of Floor Slip Resistance: The UK Slip Resistance Group (UKSRG) Guidelines issues 4 / 2011'. Results are obtained from tests carried out by our trained laboratory technicians in the internal laboratoraty. All figures are measured and expressed under laboratory conditions: Actual performance may vary from the above values depending upon site conditions. Contact the Technical Sales team for the actual slip resistant values or more information about the UKSRG.



Ladder Drain Covers

ASPEN Drainage Options

- > Available in grade 304 or 316 stainless steel
- > Cover can be bolted to the Channel to prevent distortion during overloading situations.
- > Fully welded for increased hygiene properties.
- > Optional 25mm x 10mm flat plate for increased loadings.
- > Lasered Scalloped top edge can be produced.



Scalloped Ladder Drain Cover Option