

ASPEN Banff Central Outlet

Load Class up to FACTA D400



Stainless

ASPEN Stainless hardworking stainless steel products for hardwearing environments:
British engineered with a lifetime guarantee.



Product Description

The standard Outlet Banff Central is the most popular Drainage Channel Outlet that can be positioned along the length of the Channel section with rodding access under the hinged trap and removable trash baskets.

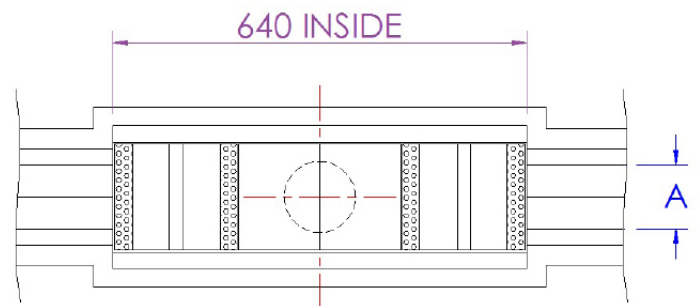
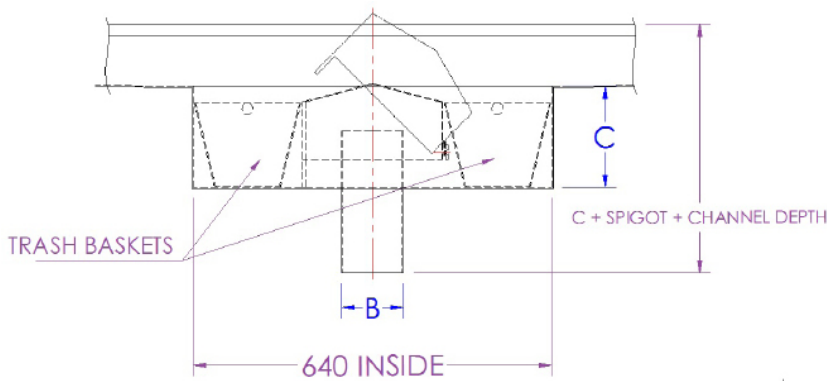
Suitable for hygienic environments accessed by all types of factory traffic.

The standard Outlet is available in five sizes to accommodate different flow rates.

Technical Specification

- > 2mm stainless steel hinged trap.
- > 2 x stainless steel removable trash baskets.
- > 50mm water trap.
- > Grade 304 stainless steel (British Standard 304S31, Euronorm 1.4301).
- > EHEDG can be achieved with alterations

| MODEL | REF | OUTLET DIMENSIONS | | | FLOW RATES | FACTA LOAD CLASS |
|----------------------------|------------|-------------------|---------------|---------------|-------------|------------------|
| | | A | B | C | | |
| 100 CHANNEL 110Ø OUTLET | OBAN100110 | 100 | 110 | 180 INSIDE | 6.0 Ltr/Sec | |
| 100 CHANNEL 160Ø OUTLET | OBAN100160 | 100 | 160 | 180 INSIDE | 8.0 Ltr/Sec | |
| 170 CHANNEL 110Ø OUTLET | OBAN170110 | 170 | 110 | 180 INSIDE | 6.0 Ltr/Sec | |
| 170 CHANNEL 160Ø OUTLET | OBAN170160 | 170 | 160 | 180 INSIDE | 8.0 Ltr/Sec | |
| 300 CHANNEL 160Ø OUTLET | OBAN300160 | 300 | 180 INSIDE | 8.0 Ltr/Sec | | |



The blue measurements indicate the variable dimensions shown in the chart above. All dimensions in mm.



ASPEN Banff Central Outlet

Load Class up to FACTA D400



ASPEN Stainless hardworking stainless steel products for hardwearing environments: British engineered with a lifetime guarantee.

ASPEN Drainage System

As the UK based designer and manufacturer of all ASPEN Stainless, Canal Engineering is able to offer a full range of products to complete your drainage system and can customize any of its Units or manufacture complete bespoke drainage systems.

Key Benefits

This design retains the water to create the water trap with an option for a removable centre pipe to allow total drainage. The Banff outlets allow rodding access and easy clean.

Maintenance

Stainless steel equipment should be occasionally thoroughly checked for retained deposits and concentrated fluid build up that causes corrosion.

Cleaning

Many factors affect the choice of cleaning method and frequency of its application. Suitable methods for stainless steel are: water and steam; mechanical non abrasive scrubbing; organic solvents and mild detergents.



Banff Central Outlet Sample

ASPEN Drainage Installation

Canal Engineering offer supply only or full installation, with fully welded and polished joints, and commissioning. Canal Engineering also offer on-going annual inspection and maintenance contracts.

For advice regarding the most suitable ASPEN Stainless for you please contact our technical sales team today to discuss your requirements.

ASPEN Drainage Options

- > Available in grade 316 stainless steel (British Standard 316S31, Euronorm 1.4401).
- > Variable filtration mesh hole size.
- > Outlet Cover will dictate the load class up to D400 FACTA Loading.