

ASPEN Diamond Central Bottom Outlet

Load Class up to FACTA D400



Stainless

ASPEN Stainless hardworking stainless steel products for hardwearing environments:
British engineered with a lifetime guarantee.



Product Description

The standard Outlet Diamond Central Bottom is based on the Vail Gully and provides low invert levels for connecting to underground drainage and can be positioned along the channel length. Complete with rodding access and a removable trash basket.

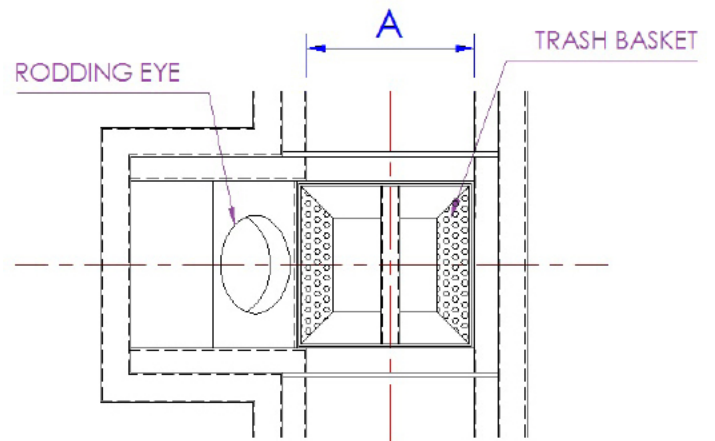
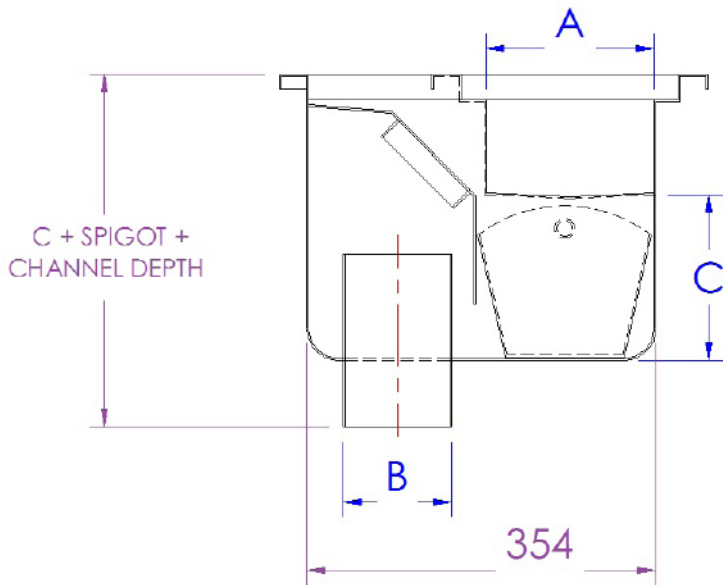
Suitable for hygienic environments accessed by all types of factory traffic.

The standard Outlet is available in four sizes to accommodate different flow rates.

Technical Specification

- > 2mm wall stainless steel tube.
- > 1 x stainless steel removable trash basket.
- > 50mm water trap.
- > Grade 304 stainless steel (British Standard 304S31, Euronorm 1.4301).
- > EHEDG can be achieved with alterations

MODEL	REF	OUTLET DIMENSIONS			FLOW RATES	FACTA LOAD CLASS
		A	B	C		
100 CHANNEL 110Ø OUTLET	ODCB100110	100	110	180	4.0 - 5.0 Ltr/Sec	
100 CHANNEL 160Ø OUTLET	ODCB100160	100	160	180	6.0 - 8.0 Ltr/Sec	
170 CHANNEL 110Ø OUTLET	ODCB170110	170	110	180	4.0 - 5.0 Ltr/Sec	
170 CHANNEL 160Ø OUTLET	ODCB170160	170	160	180	6.0 - 8.0 Ltr/Sec	



The blue measurements indicate the variable dimensions shown in the chart above. All dimensions in mm.



ASPEN Diamond Central Bottom Outlet

Load Class up to FACTA D400



ASPEN Stainless hardworking stainless steel products for hardwearing environments: British engineered with a lifetime guarantee.

ASPEN Drainage System

As the UK based designer and manufacturer of all ASPEN Stainless, Canal Engineering is able to offer a full range of products to complete your drainage system and can customize any of its Units or manufacture complete bespoke drainage systems.

Key Benefits

The Diamond Outlet starts with a high invert level and has easy access for rodding and cleaning.

Maintenance

Stainless steel equipment should be occasionally thoroughly checked for retained deposits and concentrated fluid build up that causes corrosion.

Cleaning

Many factors affect the choice of cleaning method and frequency of its application. Suitable methods for stainless steel are: water and steam; mechanical non abrasive scrubbing; organic solvents and mild detergents.



Diamond Central Bottom Outlet Sample

ASPEN Drainage Installation

Canal Engineering offer supply only or full installation, with fully welded and polished joints, and commissioning. Canal Engineering also offer on-going annual inspection and maintenance contracts.

For advice regarding the most suitable ASPEN Stainless for you please contact our technical sales team today to discuss your requirements.

ASPEN Drainage Options

- > Available in grade 316 stainless steel (British Standard 316S31, Euronorm 1.4401).
- > Variable filtration mesh hole size.
- > Outlet Cover will dictate the load class up to D400 FACTA Loading.