

# ASPEN Tiehack Square & Round Top Drain Gully

Load Class up to FACTA C250



Stainless

ASPEN Stainless hardworking stainless steel products for hardwearing environments:  
British engineered with a lifetime guarantee.



## Product Description

The Standard Tiehack Drain Gully is the most popular heavy duty unit, which is bead blasted with easy access for Rodding. It has a larger construction and basket capacity compared to the Tiehack HD Gully.

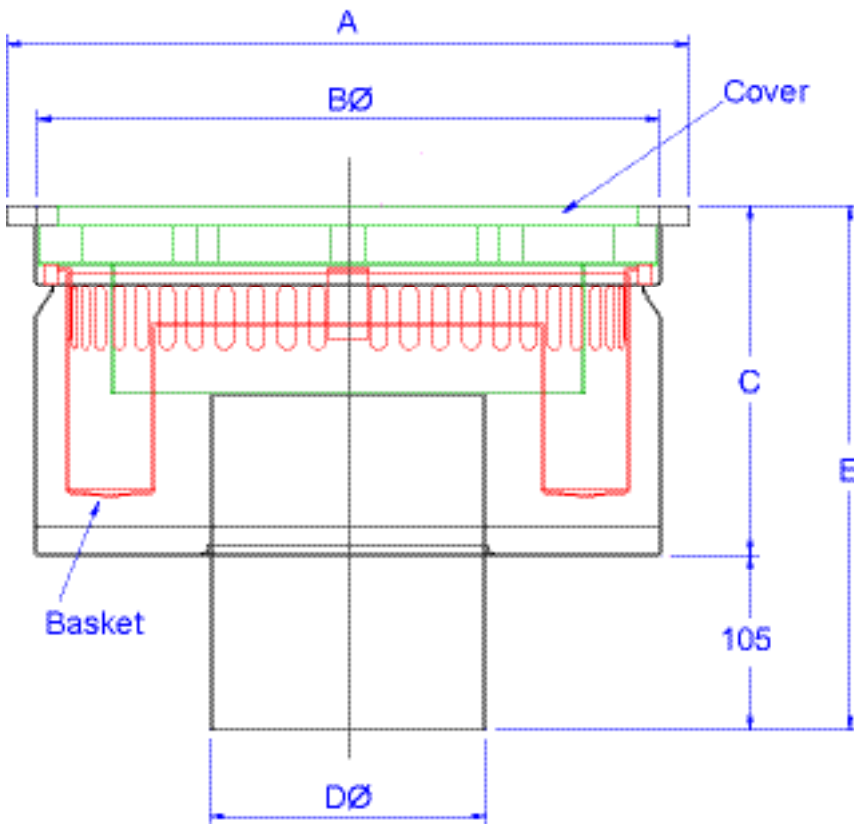
Suitable for hygienic environments accessed by heavy load factory traffic.

This Drain Gully is available in two outlet sizes to accommodate different flow rates.

## Technical Specification

- > Body: made from 1.2mm stainless steel.
- > Top: made from 10mm stainless steel.
- > Square & Round top Gully with smooth cover as standard.
- > Grade 304 stainless steel (British Standard 304S31, Euronorm 1.4301)
- > EHEDG can be achieved with alterations

MODEL	REF	GULLY DIMENSIONS					FLOW RATES	FACTA LOAD CLASS
		A	B	C	D	E		
TIEHACK 110 SQUARE	TGS110	310	281	180	110	285	4.0 Ltr/Sec	
TIEHACK 110 ROUND	TGR110	330	281	187	110	285	4.0 Ltr/Sec	
TIEHACK 160 SQUARE	TGS160	405	355	203	160	295	8.0 - 9.0 Ltr/Sec	
TIEHACK 160 ROUND	TGR160	425	308	203	160	295	8.0 - 9.0 Ltr/Sec	



All dimensions in mm.



# ASPEN Tiehack Square & Round Top Drain Gully

## Load Class up to FACTA C250



ASPEN Stainless hardworking stainless steel products for hardwearing environments: British engineered with a lifetime guarantee.

### ASPEN Drainage System

As the UK based designer and manufacturer of all ASPEN Stainless, Canal Engineering is able to offer a full range of products to complete your drainage system and can customize any of its Units or manufacture complete bespoke drainage systems.

#### Key Benefits

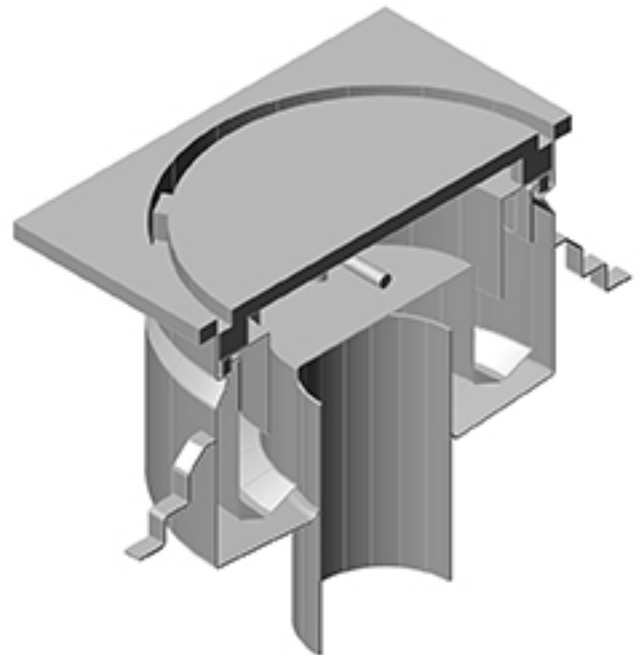
A large, versatile and popular gully for use in any area utilising a solid and well established design to provide maximum drainage and good filtration of solids in heavily trafficked areas.

#### Maintenance

Stainless steel equipment should be occasionally thoroughly checked for retained deposits and concentrated fluid build up that causes corrosion.

#### Cleaning

Many factors affect the choice of cleaning method and frequency of its application. Suitable methods for stainless steel are: water and steam; mechanical non abrasive scrubbing; organic solvents and mild detergents.



*Tiehack Square Top 3D Cut Through Render*

### ASPEN Drainage Installation

Canal Engineering offer supply only or full installation, with fully welded and polished joints, and commissioning. Canal Engineering also offer on-going annual inspection and maintenance contracts.

For advice regarding the most suitable ASPEN Stainless for you please contact our technical sales team today to discuss your requirements.

### ASPEN Drainage Options

- > Available in grade 316 stainless steel (British Standard 316S31, Euronorm 1.4401).
- > A range of Gully Covers.
- > Locking Gully Cover.
- > Gully Membrane Flange.
- > Gully Cover lifting tools.
- > Variable filtration mesh hole size.