

ASPEN Stainless hardworking stainless steel products for hardwearing environments:
British engineered with a lifetime guarantee.



Product Description

The Standard Membrane Flange is added to a Gully or Outlet at various positions to act as a second drainage source to prevent water reaching the filled concrete, which is bead blasted with easy access for Rodding.

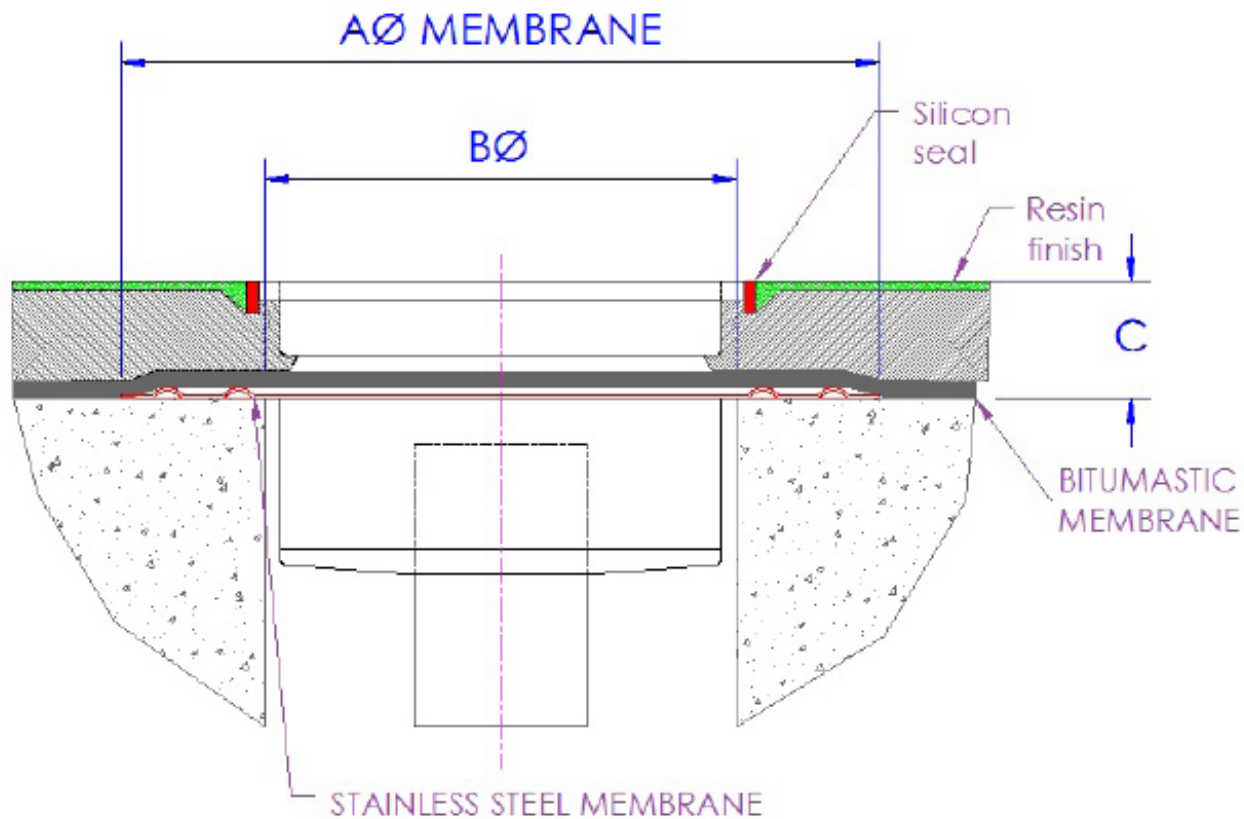
Suitable for hygienic environments.

The Membrane Flange is variable in size and available to use with the ASPEN Gully and Outlet range.

Technical Specification

- > 1.5mm stainless steel.
- > Suitable for round and square openings.
- > Grade 304 stainless steel (British Standard 304S31, Euronorm 1.4301).
- > Compliant with EHEDG guidelines

MODEL	REF	MEMBRANE DIMENSIONS		
		A	B	C
GULLY	GMEMFLG	485	VARIABLE	VARIABLE
OUTLET	OMEMFLG	485	VARIABLE	VARIABLE



The blue measurements indicate the variable dimensions shown in the chart above. All dimensions in mm.

ASPEN Membrane Flange

ASPEN

Stainless

ASPEN Stainless hardworking stainless steel products for hardwearing environments: British engineered with a lifetime guarantee.

ASPEN Drainage System

As the UK based designer and manufacturer of all ASPEN Stainless, Canal Engineering is able to offer a full range of products to complete your drainage system and can customize any of its Units or manufacture complete bespoke drainage systems.

Key Benefits

Membrane flange option can be added to the ASPEN Gully or Outlet range providing further drainage and prolonging the surrounding area.

Maintenance

Stainless steel equipment should be occasionally thoroughly checked for retained deposits and concentrated fluid build up that causes corrosion.

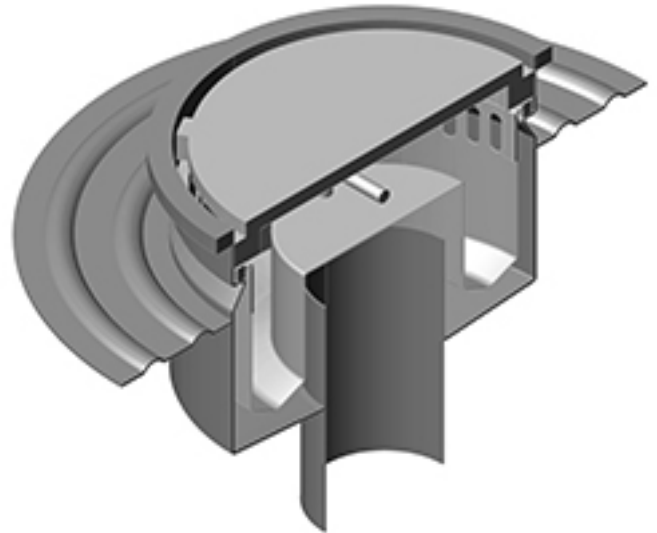
Cleaning

Many factors affect the choice of cleaning method and frequency of its application. Suitable methods for stainless steel are: water and steam; mechanical non abrasive scrubbing; organic solvents and mild detergents.

ASPEN Drainage Installation

Canal Engineering offer supply only or full installation, with fully welded and polished joints, and commissioning. Canal Engineering also offer on-going annual inspection and maintenance contracts.

For advice regarding the most suitable ASPEN Stainless for you please contact our technical sales team today to discuss your requirements.



Membrane Flange Sample

ASPEN Drainage Options

- > Available in grade 316 stainless steel (British Standard 316S31, Euronorm 1.4401).
- > A range of Gully Covers (see TD35).
- > Locking Gully Cover.
- > Gully Cover lifting tools.
- > Variable filtration mesh hole size.