

ASPEN Summit Gully 'Catch Pot'

Load Class up to FACTA C250



Stainless

ASPEN Stainless hardworking stainless steel products for hardwearing environments:
British engineered with a lifetime guarantee.




Product Description

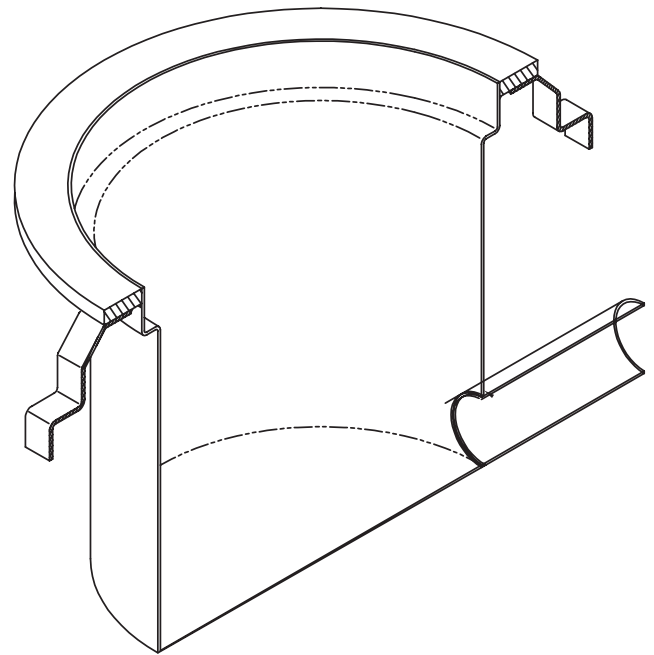
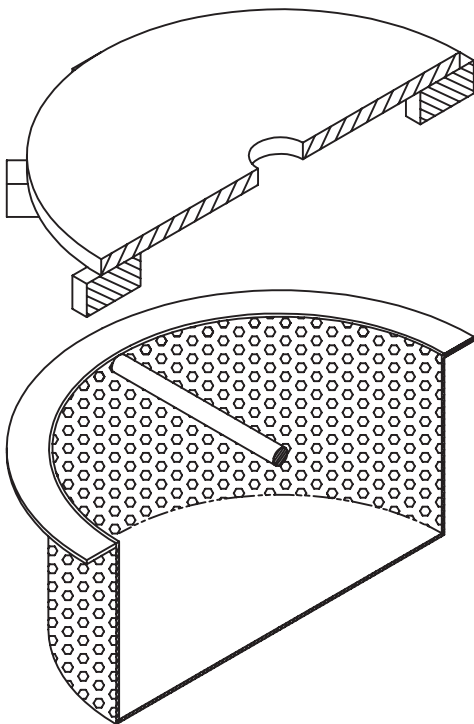
The Standard Summit Gully 'Catch Pot' for bespoke drainage application designed for use in most areas, bead blasted finish.

Suitable for hygienic environments accessed by medium load factory traffic.

Technical Specification

- > Stainless steel of various thicknesses.
- > Round opening with smooth cover.
- > Grade 304 stainless steel (British Standard 304S31, Euronorm 1.4301).
- > Compliant with EHEDG guidelines

MODEL	REF	GULLY DIMENSIONS					FACTA LOAD CLASS
		A	B	C	D	E	
SUMMIT 110	SGR110	270	200	113	38/50	295	



The blue measurements indicate the variable dimensions shown in the chart above. All dimensions in mm.



ASPEN Summit Gully 'Catch Pot'

Load Class up to FACTA C250



ASPEN Stainless hardworking stainless steel products for hardwearing environments: British engineered with a lifetime guarantee.

ASPEN Drainage System

As the UK based designer and manufacturer of all ASPEN Stainless, Canal Engineering is able to offer a full range of products to complete your drainage system and can customize any of its Units or manufacture complete bespoke drainage systems.

Key Benefits

The Summit Gully is manufactured with a drainable 50mm water trap and removable trash basket.

Maintenance

Stainless steel equipment should be occasionally thoroughly checked for retained deposits and concentrated fluid build up that causes corrosion.

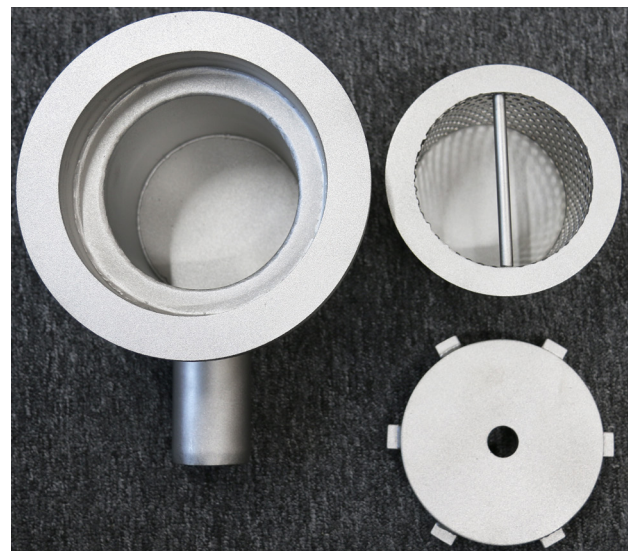
Cleaning

Many factors affect the choice of cleaning method and frequency of its application. Suitable methods for stainless steel are: water and steam; mechanical non abrasive scrubbing; organic solvents and mild detergents.

ASPEN Drainage Installation

Canal Engineering offer supply only or full installation, with fully welded and polished joints, and commissioning. Canal Engineering also offer on-going annual inspection and maintenance contracts.

For advice regarding the most suitable ASPEN Stainless for you please contact our technical sales team today to discuss your requirements.



Different Sized Summit Gully 'Catch Pot' Samples

ASPEN Drainage Options

- > Available in grade 316 stainless steel (British Standard 316S31, Euronorm 1.4401).
- > A range of Gully Covers (see TD35).
- > Gully Membrane Flange (see TD66).
- > Gully Basket.
- > Condense.
- > Locking Gully Cover.
- > Gully Cover lifting tools.
- > Variable filtration mesh hole size.