

# ASPEN Anti Backflow Mushroom Gully Trap

for side outlet Summit, Vail & Tiehack gullies only



Stainless

ASPEN Stainless hardworking stainless steel products for hardwearing environments:  
British engineered with a lifetime guarantee.



## Product Description

Located inside the gully and placed into the outlet pipe, the Anti Backflow Gully Trap is designed to close off the outlet to prevent waste water returning into the gully and more importantly, into the room.

The hinged trap has an added neoprene rubber gasket providing a water tight seal, which is much more effective than a standard metal trap.

The Anti Backflow Trap is available in one size to accommodate the Ø110mm side outlet gullies in the Aspen drainage range.

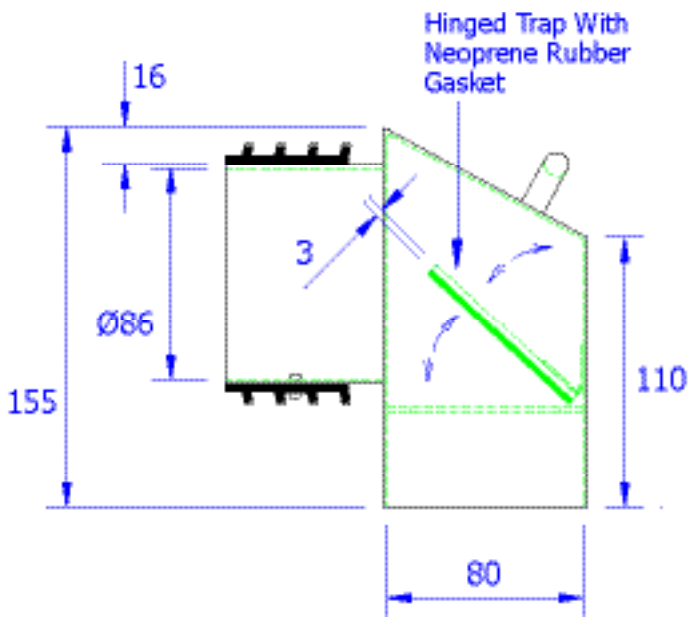
## Technical Specification

- > Stainless steel construction.
- > 3mm trap with 3mm neoprene seal.
- > Grade 304 stainless steel (British Standard 304S31, Euronorm 1.4301).
- > Compliant with EHEDG regulations

## Gully Options

- > Side Outlet Summit Gully
- > Side Outlet Tiehack Gully
- > Side Outlet Vail Gully

MODEL	REF	FLOW RATES
TRAP 110	ABT110	3.0 Ltr/Sec



All dimensions in mm.



# ASPEN Anti Backflow Mushroom Gully Trap

for side outlet Summit, Vail & Tiehack gullies only



ASPEN Stainless hardworking stainless steel products for hardwearing environments: British engineered with a lifetime guarantee.

## ASPEN Drainage System

As the UK based designer and manufacturer of all ASPEN Stainless, Canal Engineering is able to offer a full range of products to complete your drainage system and can customize any of its Units or manufacture complete bespoke drainage systems.

### Maintenance

Stainless steel equipment should be occasionally thoroughly checked for retained deposits and concentrated fluid build up that causes corrosion.

### Cleaning

Many factors affect the choice of cleaning method and frequency of its application. Suitable methods for stainless steel are: water and steam; mechanical non abrasive scrubbing; organic solvents and mild detergents.

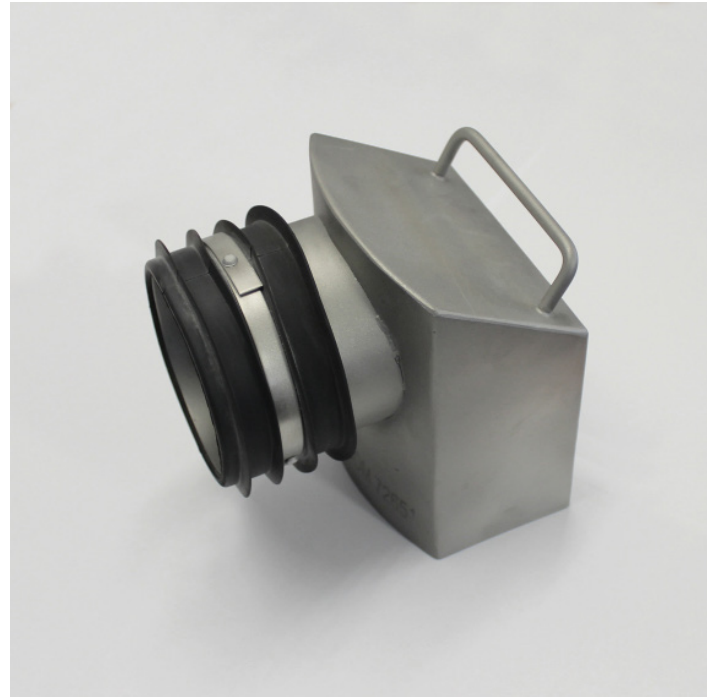
## ASPEN Drainage Installation

Canal Engineering offer supply only or full installation, with fully welded and polished joints, and commissioning. Canal Engineering also offer on-going annual inspection and maintenance contracts.

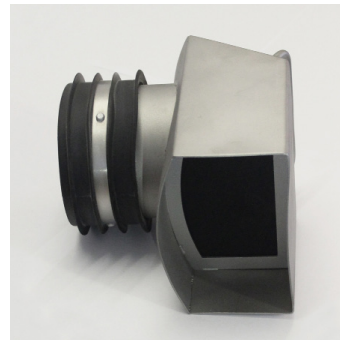
For advice regarding the most suitable ASPEN Stainless for you please contact our technical sales team today to discuss your requirements.

## ASPEN Drainage Options

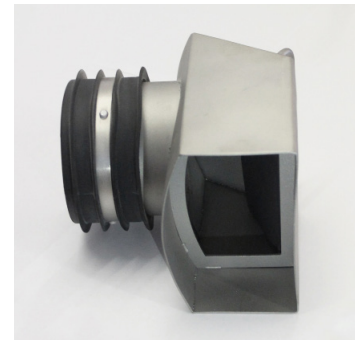
> Available in grade 316 stainless steel (British Standard 316S31, Euronorm 1.4401).



Anti Backflow Trap



Anti Backflow Trap Closed



Anti Backflow Trap Open